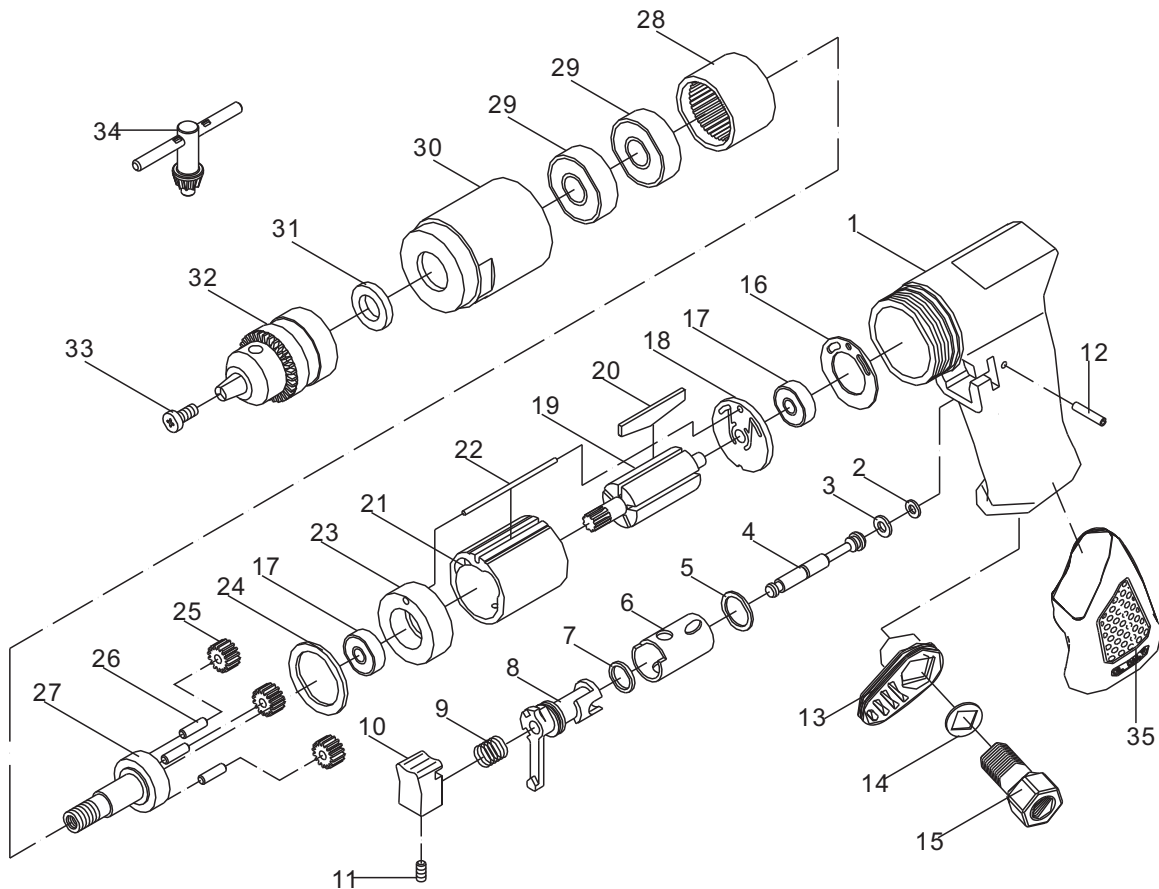


SPARE PARTS LIST

3/8" Reversible Air Drill (Model: AT-4031B / AT-4031)



Part No.	Description	Quantity
01	Main housing	1
02	O-ring	2
03	O-ring	1
04	Valvestem	1
05	O-ring	1
06	Trigger stand	1
07	O-ring	1
08	F/R valve	1
09	Spring	1
10	Trigger	1
11	Hex screw	1
12	Trigger bolt	1
13	Muffler	1
14	Spacer	1
15	Air inlet	1
16	Gasket	1
17	Bearing	2
18	Rear plate	1

Part No.	Description	Quantity
19	Rotor	1
20	Rotor blade	5
21	Cylinder	1
22	Fixing shaft	1
23	Front plate	1
24	Cushion	1
25	Gear	3
26	Bolt	3
27	Rotating axle	1
28	Gear ring	1
29	Bearing	2
30	Fixing ring	1
31	Cushion	1
32	Chuck	1
33	Screw	1
34	Chuck key	1
35	Handle grip	1