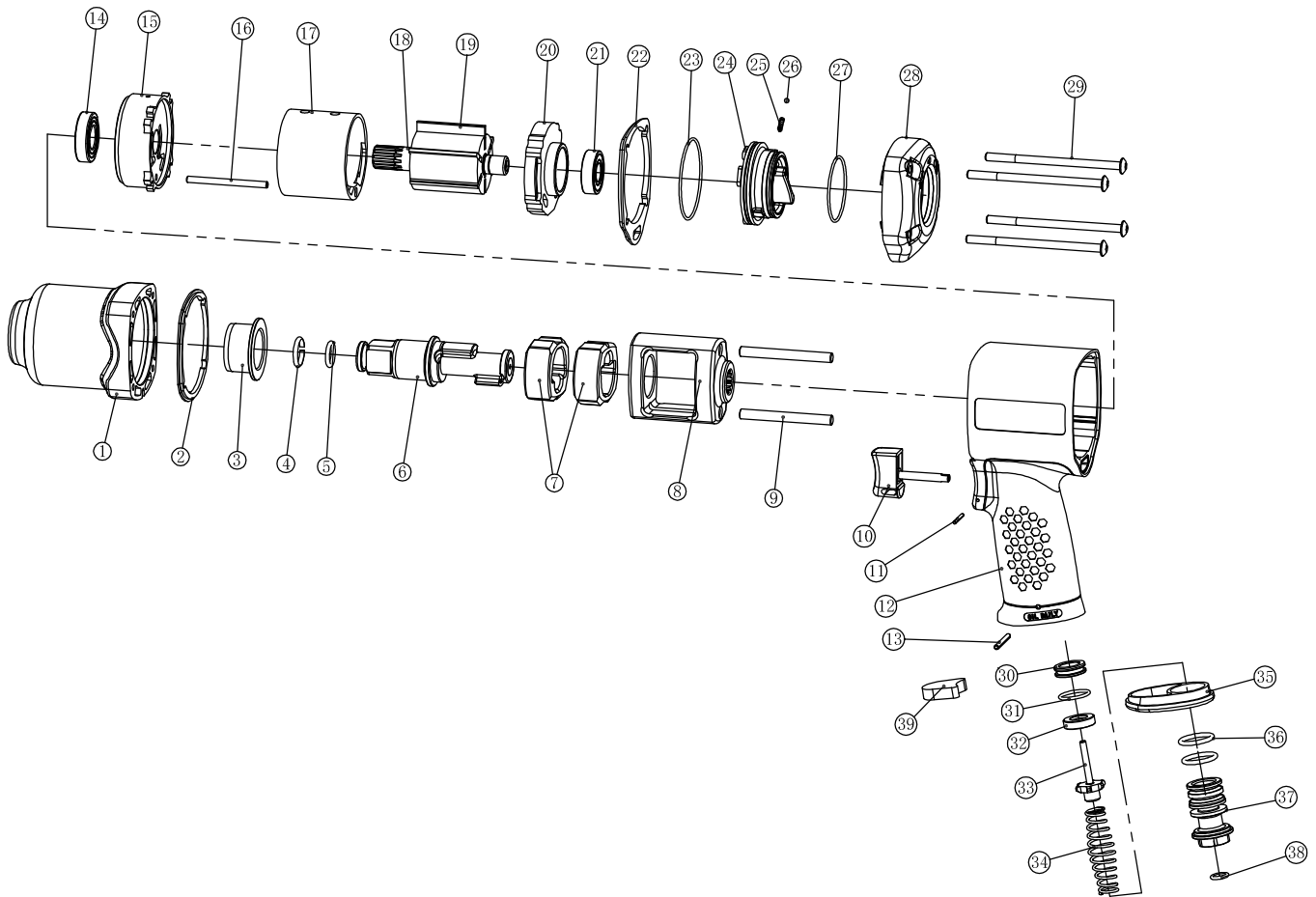


3/4"

AIR IMPACT WRENCH



No.	Name	Q'ty	No.	Name	Q'ty
1	hammer case	1	21	bearing	1
2	rubber mat	1	22	rubber mat	1
3	anvil bushing	1	23	o ring	1
4	circlip	1	24	timing button	1
5	o ring	1	25	spring	1
6	anvil	1	26	steel ball	1
7	hammer	2	27	o ring	1
8	hammer cage	1	28	back cover	1
9	hammer pin	2	29	Fastening screw	4
10	trigger	1	30	inlet gasket	1
11	pin	1	31	o ring	1
12	handle	1	32	rubber gasket	1
13	pin	1	33	inlet valve	1
14	bearing	1	34	inlet spring	1
15	front end plate	1	35	plastic cover	1
16	pin	1	36	o ring	2
17	cylinder	1	37	air inlet	1
18	rotor	1	38	air inlet screen	1
19	vane	6	39	silencer cotton	1
20	rear end plate	1			