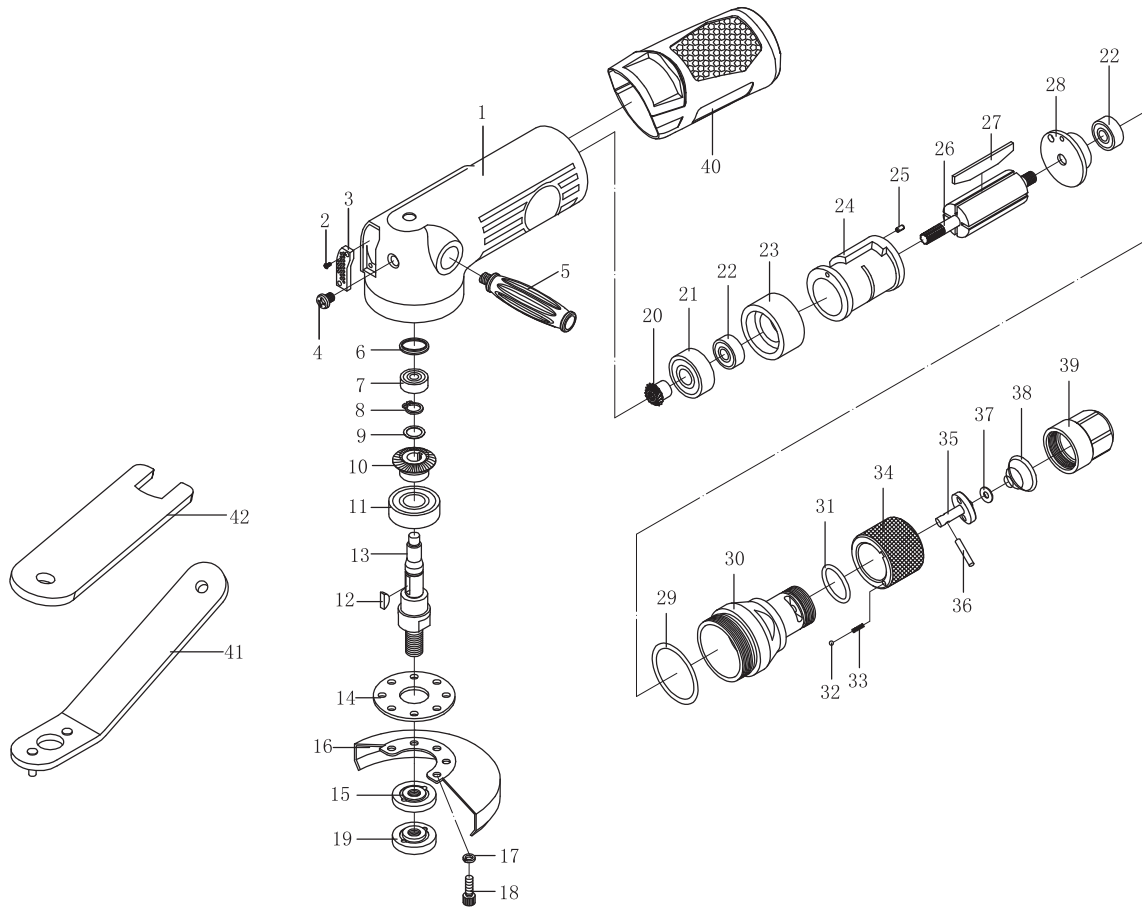


SPARE PARTS LIST

5" PROFESSIONAL AIR ANGLE GRINDER (ROLL-TYPE SPEED COLLAR) (AT-285B AT-285)



Part No.	Description	Quantity
01	Main housing	1
02	Screw	2
03	Muffler	1
04	Screw	1
05	Handle	1
06	Dust cover	1
07	Bearing	1
08	E-clip	1
09	Spacer	1
10	Gear	1
11	Bearing	1
12	Semi-round key	1
13	Rotating axle	1
14	gasket	1
15	Rear flange nut	1
16	Metal guard	1
17	Spacer	4
18	Screw	4
19	Front flange nut	1
20	Gear	1
21	Bearing	1

Part No.	Description	Quantity
22	Bearing	2
23	Front plate	1
24	Cylinder	1
25	Bolt	1
26	Rotor	1
27	Rotor blade	4
28	Rear plate	1
29	O-ring	1
30	Fixing connector	1
31	O-ring	1
32	Steel Ball	1
33	Spring	1
34	Speed collar	1
35	Connect shaft	1
36	Bolt	1
37	Gasket	1
38	Spring	1
39	Air inlet	1
40	Soft grip	1
41	Pin wrench	1
42	Wrench	1