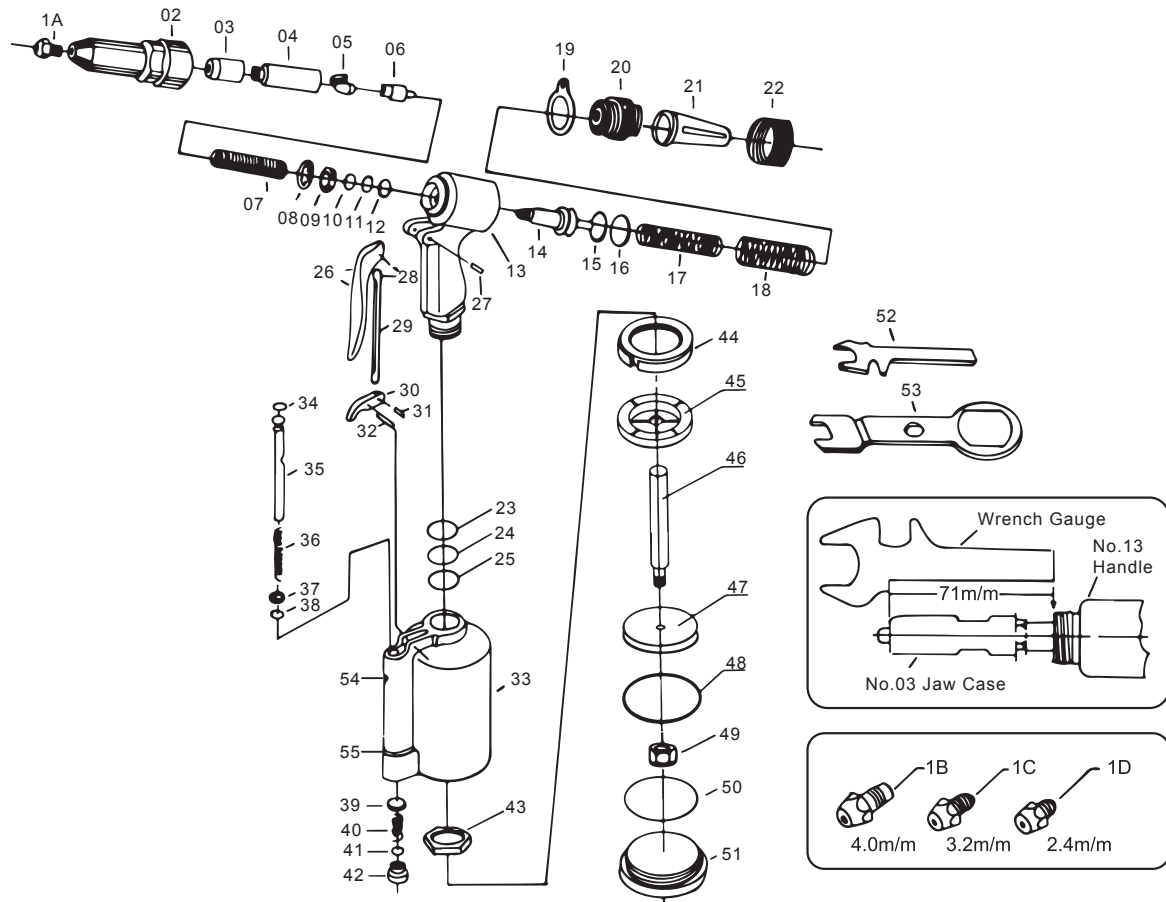


# EXPLODED DIAGRAM AND PARTS LIST

## 3/16" Air-hydraulic Riveter

MODEL: AT-6015SG / AT-6015



Part No.	Description	Qty.	Part No.	Description	Qty.
1A	Nosepiece (4.8 mm - 3/16 in.)	1	27	Tigger Pin	1
1B	Nosepiece (4 mm - 5/32 in.)	1	28	Rod Pin	1
1C	Nosepiece (3.2 mm - 1/8 in.)	1	29	Tigger Rod	1
1D	Nosepiece (2.4 mm - 3/32 in.)	1	30	Trigger Lever	1
1E	Nosepiece (3.2 mm - 1/4 in.)	1	31	Rod Pin	1
02	Socket Head	1	32	Lever Pin	1
03	Jaw Case	1	33	Air Cylinder	1
04	Clamp Nut	1	34	Valve Pusher O-Ring	1
05	Jaw	2	35	Brass Valve Pusher	1
06	Jaw Pusher	1	36	Valve Pusher Spring	1
07	Jaw Pusher Spring	1	37	Valve Pusher Brass Cellar	1
08	Jaw Case Washer Ring	1	38	Valve Pusher O-Ring	1
09	Jaw Case Lock Nut	1	39	Valve	1
10	Handle O-ring	1	40	Valve Spring	1
11	Handle O-ring	1	41	Valve Cap O-Ring	1
12	Handle Back-up Ring	1	42	Valve Cap	1
13	Handle	1	43	Frame Lock Nut	1
14	Oil Piston	1	44	Rubber Cushion	1
15	Oil Piston O-Ring	1	45	Cushion	1
16	Oil Piston Back-up Ring (spare supplied)	1	46	Air Piston Stem	1
17	Return Spring (A)	1	47	Air Piston	1
18	Return Spring (B)	1	48	Air Piston Ring	1
19	Hanging Clip	1	49	Air Piston Lock Nut	1
20	Frame Cap	1	50	Air Cylinder O Ring	1
21	Safety Cap	1	51	Air Cylinder Cap	1
22	Frame Cap Nut	1	52	Wrench Gauge (17/14 mm)	1
23	Frame Joint Back up Ring	1	53	Wrench (10/15/24 mm)	1
24	Frame Joint O-Ring	1	54	Muffler Assembly	1
25	Frame Joint O-Ring	1	55	Filter Net	1
26	Trigger	1			